

## VS Q BALL VALVE 103030



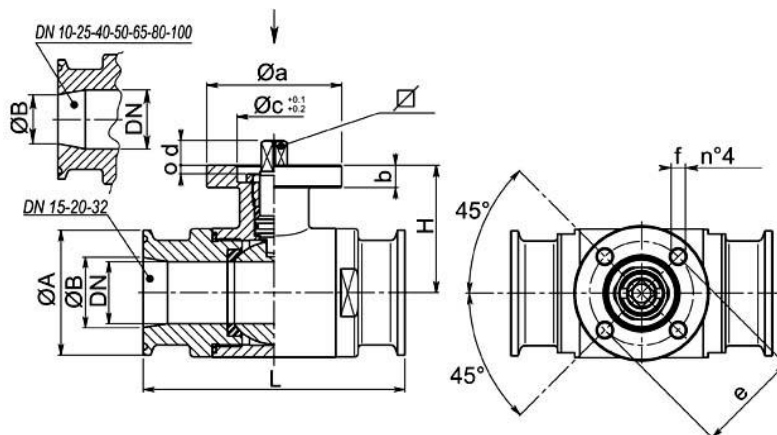
### 103030

Two-way ball valve  
Drive: ISO 5211 - DIN 3337 flange for actuator  
Connection: CLAMP ISO 2852  
Flow: full and reduced  
Material: Aisi 316  
Measure: from 1/2" to 4"  
Seals: virgin P.T.F.E.  
Operating temperature: -20°C +160°C  
Outer finish: polished

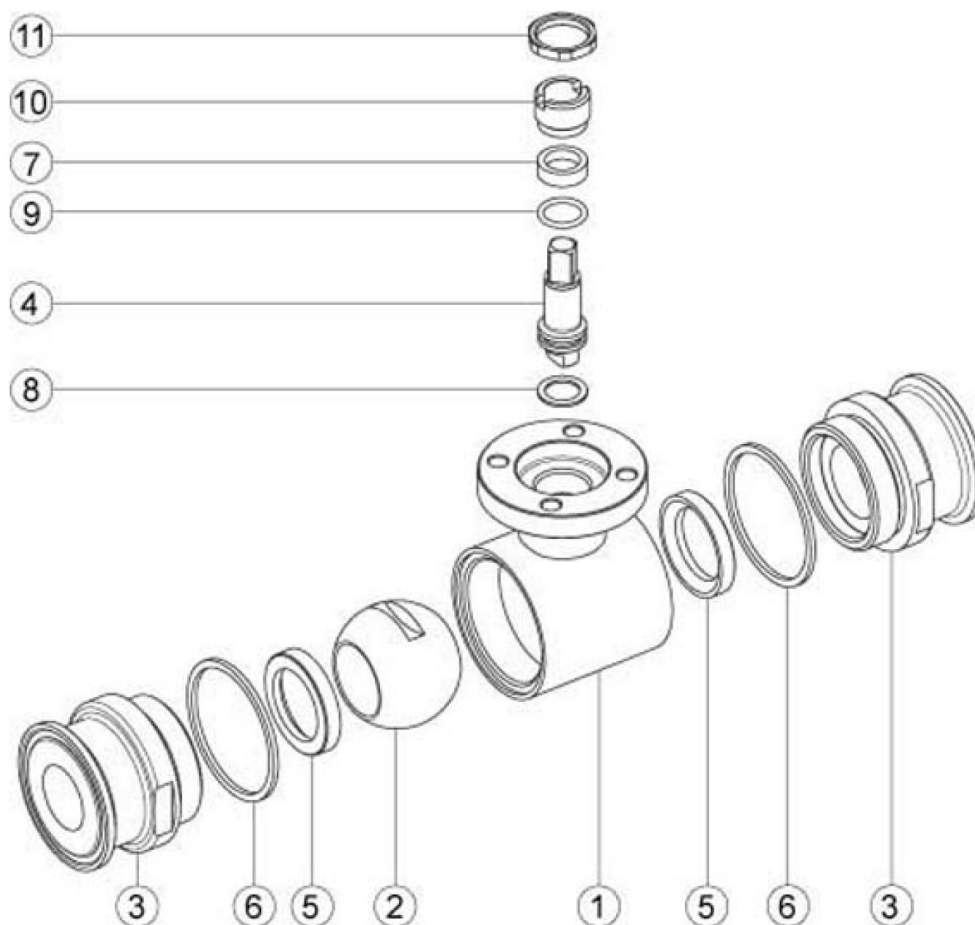
#### On request:

Antistatic device ATEX II 2 G-D T4 (Directive 94/9/EC)  
• KF connection

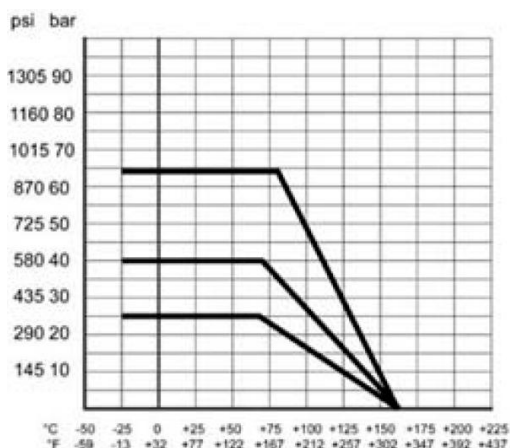
• Seals made of:  
P.T.F.E. with glass  
P.T.F.E. with carbographtite  
High-molecular weight polyethylene



CLAMP	DN	L	Ø A	Ø B	H	PN	KG	ISO-DIN	Ø a	B	Ø c x o	∩	d	e	f	n°4 bolts	Nm *	CODE AISI 316L
1/2"	10	88	25	9,7	39	64	0,44	F.03	46	9	25x3	9	8	36	6	M5x16	5	103030 61210
1/2"	10	88	25	9,7	39	64	0,46	F.04	54	9	30x3	11	10	42	6	M5x16	5	103030 6121F
3/4"	15	92	25	16	41,5	64	0,50	F.03	46	9	25x3	9	8	36	6	M5x16	8	103030 61810
3/4"	15	92	25	16	41,5	64	0,54	F.04	54	9	30x3	11	10	42	6	M5x16	8	103030 6181F
1"	20	102	50,5	22,2	45	64	0,95	F.03	46	9	25x3	9	8	36	6	M5x16	12	103030 62410
1"	20	102	50,5	22,2	45	64	0,96	F.04	54	9	30x3	11	10	42	6	M5x16	12	103030 6241F
1"	25	106	50,5	22,2	51,5	40	1,37	F.04	54	9	30x3	11	10	42	6	M5x16	15	103030 62610
1"	25	106	50,5	22,2	51,5	40	1,36	F.05	65	9	35x3	14	13	50	7	M6x16	15	103030 6261F
1 1/2"	32	112	50,5	34,8	56,5	40	1,42	F.04	54	9	30x3	11	10	42	6	M5x16	18	103030 63210
1 1/2"	32	112	50,5	34,8	56,5	40	1,49	F.05	65	9	35x3	14	13	50	7	M6x16	18	103030 6321F
1 1/2"	40	126	50,5	34,8	76	40	2,42	F.05	65	12	35x4	14	13	50	7	M6x20	25	103030 63410
1 1/2"	40	126	50,5	34,8	76	40	2,57	F.07	90	12	55x4	17	15	70	9	M8x20	25	103030 6341F
2"	50	136	64	47,5	84	25	3,44	F.05	65	12	35x4	14	13	50	7	M6x20	30	103030 63810
2"	50	136	64	47,5	84	25	3,61	F.07	90	12	55x4	17	15	70	9	M8x20	30	103030 6381F
2 1/2"	65	154	77,5	60,2	94,5	25	5,84	F.07	90	12	55x4	17	15	70	9	M8x20	45	103030 64410
2 1/2"	65	154	77,5	60,2	94,5	25	6,34	F.10	125	12	70x4	22	18	102	11	M10x25	45	103030 6441F
3"	80	184	91	72,6	106	25	8,90	F.07	90	12	55x4	17	15	70	9	M8x20	70	103030 64810
3"	80	184	91	72,6	106	25	9,40	F.10	125	12	70x4	22	18	102	11	M10x25	70	103030 6481F
4"	100	190	119	97,6	120	25	13,33	F.07	90	12	55x4	17	15	70	9	M8x20	80	103030 65410
4"	100	190	119	97,6	120	25	13,83	F.10	125	12	70x4	22	18	102	11	M10x25	80	103030 6541F



POS.	DENOMINATION	PCS	MAT.
1	Body	1	AISI 316L
2	Ball	1	AISI 316L
3	Sleeves	2	AISI 316L
4	Stem	1	AISI 316L
5	Ball seals	2	PTFE
6	Sleeve seals	2	PTFE
7	Stem seal	1	PTFE
8	Stem seal	1	PTFE
9	Stem OR-seal	1	FKM
10	Register ring	1	AISI 304L (303)
11	Locknut	1	AISI 303



**Get the information you need and more at : [info@aerreinox.it](mailto:info@aerreinox.it)**

In the interests of development and improvement of the product, we reserve the right to change the specifications without prior notice.

**Aerre Inox s.r.l.**

26010 FIESCO Via Gerola n.4 -CREMONA- Italy  
Tel. +39.0374.370828 Fax +39.0374.370833  
e-mail : [info@aerreinox.it](mailto:info@aerreinox.it) http : [www.aerreinox.it](http://www.aerreinox.it)